

# Controllers

## Direct Replacement Controllers

### DATA SHEET



## AVMB4S Controller

CollabraTech Solutions' direct replacement controllers specified for use in valve manifold boxes (VMBs) are comprehensive and adaptable to meet the needs of ultra-high-purity gas delivery systems. The AVMB4S is designed to help extend life-aging equipment and be cost-effective alternatives to replacing an entire gas delivery system. The controller is outfitted with an Allen-Bradley Micro800 engine and is a 4-stick model (see AVMB8S for 8-stick model).

## Product Description

The Collabratech, AutoVMB uses a programmable logic controller with a touch screen interface to give the operator maximum control over pneumatic valve functions and updated information on valve status. The AutoVMB controller automates the operation of the four stick gas delivery system. The system provides automated dispense, vent, and purge functions for increased safety and efficiency for the operator. The system operates in automatic and manual mode and performs stick vent and purge functions on demand.



Model	Capability	Dual Solenoid Optional	HMI Size	SEMI-S2 Compliant	Ethernet Comm. for Customer SCADA	Stick Count
AVMB4S	Automatic	Available	7"	X	X	Up to 4 Sticks

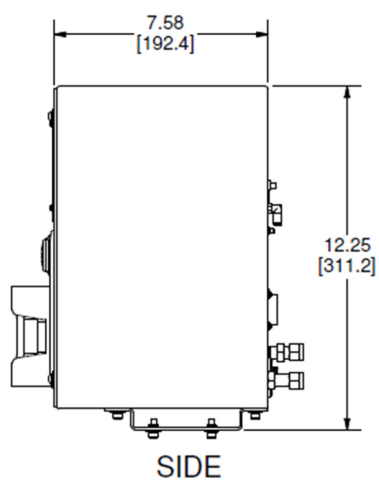
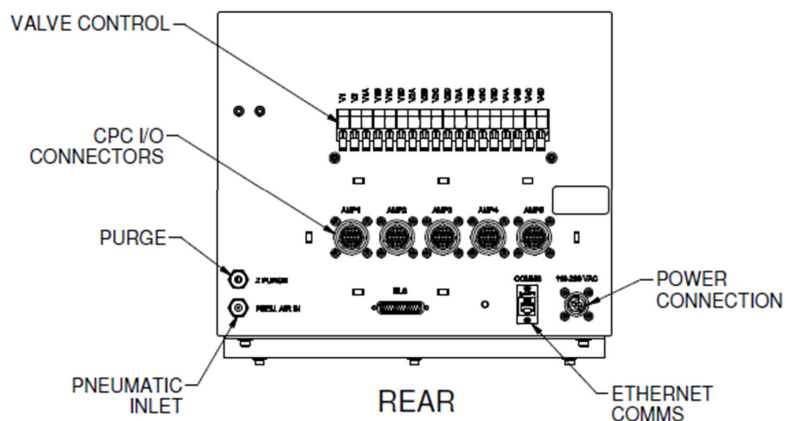
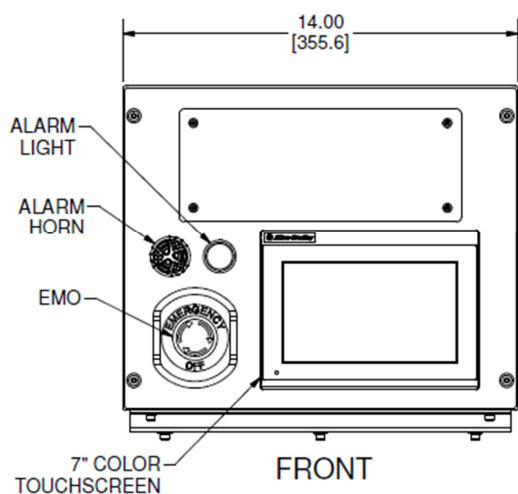
# Controllers

## Direct Replacement Controllers

### DATA SHEET



### Product Dimensions



Facilities	Connection	Requirement	
CDA or N2	1/4" Compression	80-100 psig	5.15-6.89 bars
Electrical	CPC	110-230 VAC, 50-60 HZ, Single Phase, 1 Amps	
Inputs/Outputs	(5) CPC 28 pin	NA	
Comms	Rj45 Ethernet	NA	
Purge	1/2" Compression	2-5 psig	